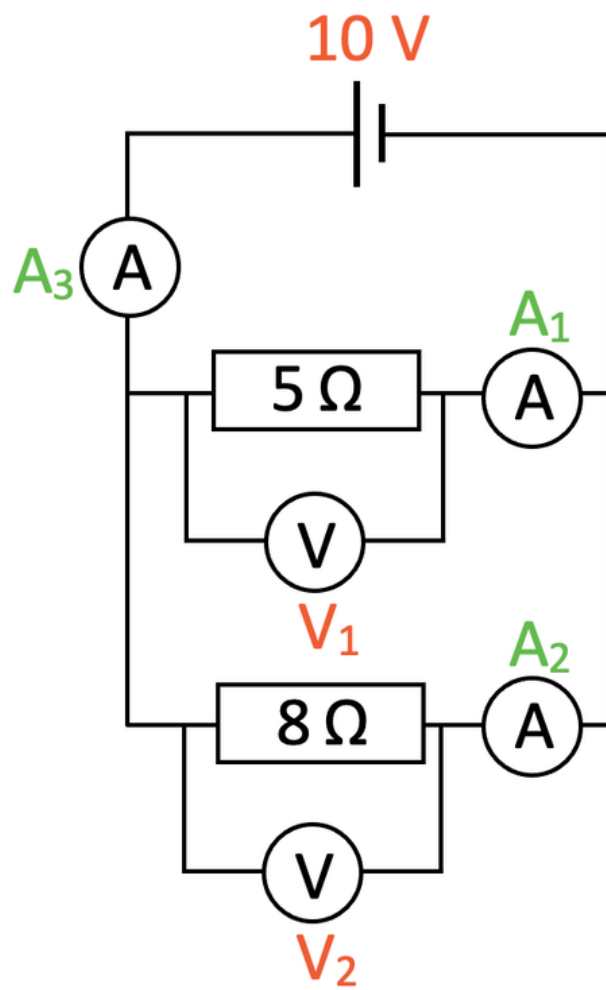


Parallel Circuits Content

Example 1



Example 2

