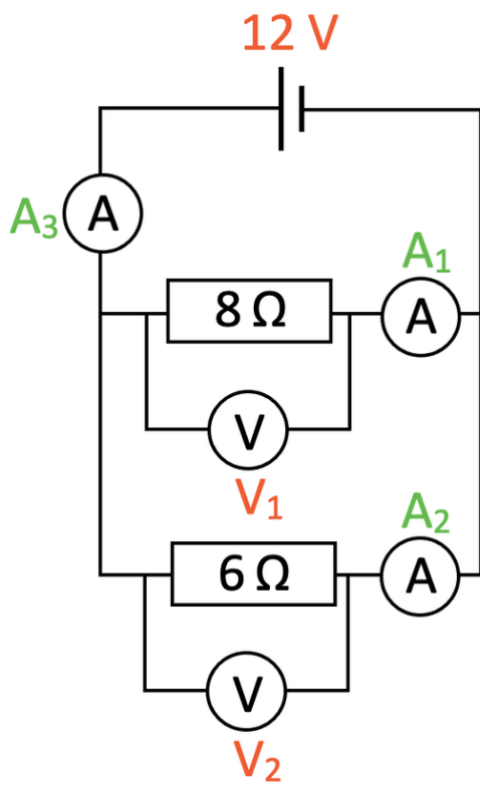
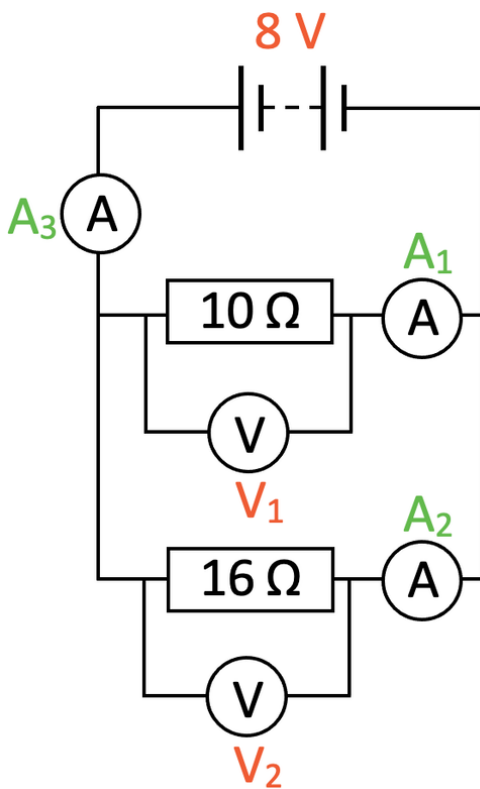


Parallel Circuits

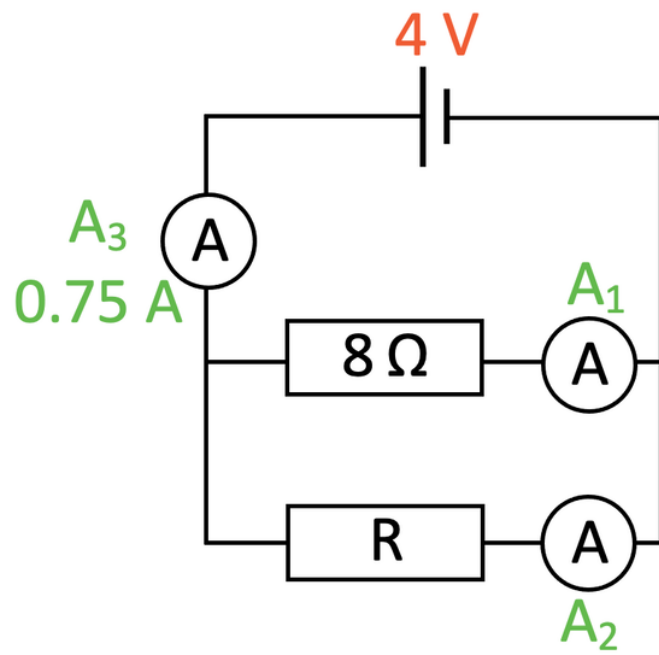
Question 3



Question 4



Question 5



Question 6

