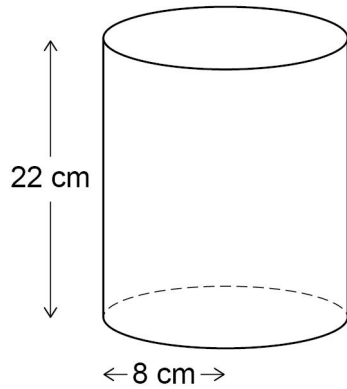


- 15 A company makes two types of lampshade using fabric on wire frames.

Lampshade A

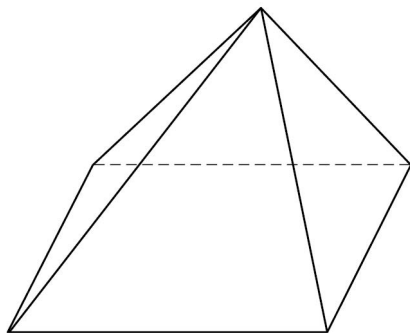
Fabric is used to make the curved surface of a cylinder.

The cylinder has radius 8 cm and height 22 cm

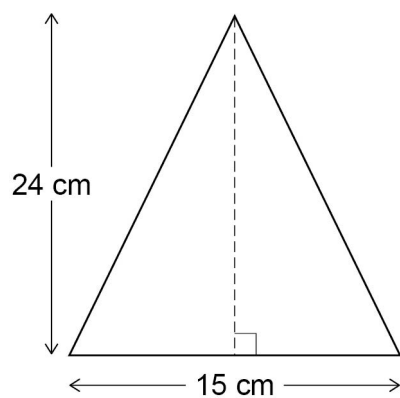


Lampshade B

Fabric is used to make the four triangular faces of a pyramid.



Each triangular face has base 15 cm and perpendicular height 24 cm



Not drawn
accurately



