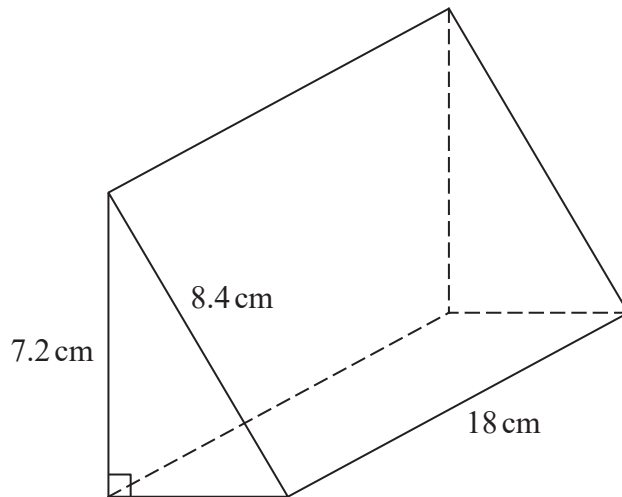


26 Here is a triangular prism.



Work out the volume of the prism.
Give your answer correct to 3 significant figures.

..... cm³

(Total for Question 26 is 5 marks)

TOTAL FOR PAPER IS 80 MARKS

