

28

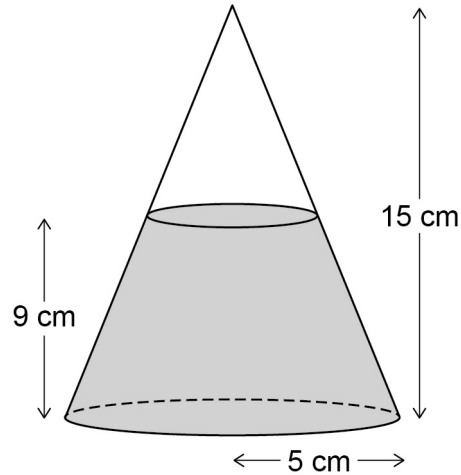
Volume of cone =  $\frac{1}{3}\pi r^2 h$  where  $r$  is the radius and  $h$  is the perpendicular height.

A cone has a

horizontal base of radius 5 cm

height of 15 cm

The cone contains water to a depth of 9 cm



Work out the volume of the water, in  $\text{cm}^3$

Give your answer in terms of  $\pi$ .



[4 marks]

---



---



---



---



---



---



---



---



---



---



---



---



---



---



---



---

Answer \_\_\_\_\_  $\text{cm}^3$

