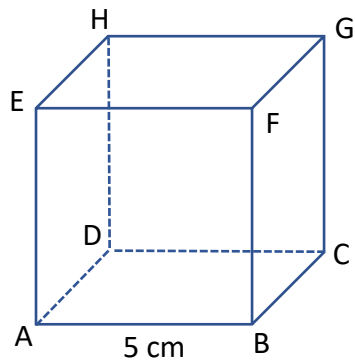


Quiz 5

You may use a calculator for all of the questions in this quiz.

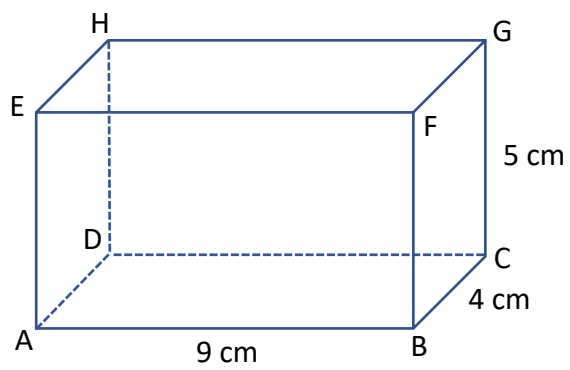
1) The shape below is a cube and each of the sides is 5 cm.



a) What is the length of AC? Give your answer in exact form (leave it as a simplified surd).

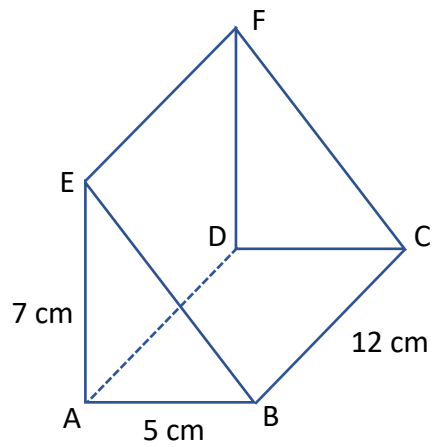
b) What is the length of AG? Give your answer to one decimal place.

2) The shape below is a cuboid.



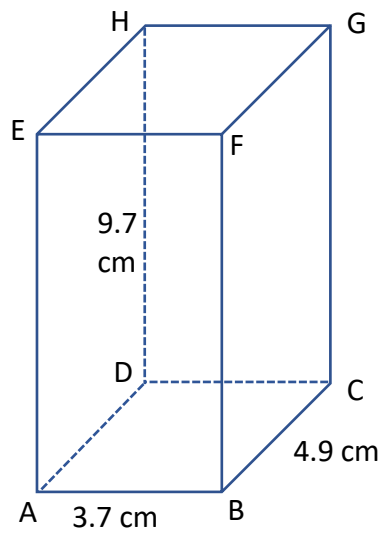
- What is the length of GB? Give your answer to 3 significant figures.
- What is the length of AG? Give your answer to 3 significant figures.

3) The shape below is a triangular prism. The triangle is a right angled triangle (angles EAB and FDC are right angles).



- What is the length of BE? Give your answer to 1 decimal place.
- What is the length of BD? Give your answer to 1 decimal place.
- What is the length of BF? Give your answer to 1 decimal place.

4) The shape below is a cuboid.



- What is the length of BD? Give your answer to 3 significant figures.
- What is the length of BG? Give your answer to 3 significant figures.
- What is the length of BH? Give your answer to 3 significant figures.